

ECFP Series Conventional Fire Alarm Panel



- 2/4/8/12/16 zones
- 2x16 Alphanumerical LCD display
- LED indicators for Alarm, Fault, Sounder Fault, System Fault, Disable, Supply and Battery
- Connection up to 20 detectors per zone
- Unlimited number of manual call points connection
- Two relay outputs / Two sounder outputs
- Sounder delay option to prevent fault alarm
- Start/Stop Sounder, Reset, Silence Buzzer buttons
- Disable function for zone and sounder
- Sounder Control with password or key
- Microprocessor controlled
- EN 54-2 and EN54-4 certified

Technical Specifications

Model	ECFP/XXP	ECFP/XXM
Electrical		
AC Input	220 + %10 - %15	
Power consumption	<53W	
Mains cable	3 x 1.5 mm ² / 1 km	
Zone circuit cable (mixed zone)	12 to 26 AWG (3.31 to 0.13 mm ² Twisted-pair (max. 40Ω / 500 nF) / 1 km	
Sounder End-of-line resistance	15kΩ	
End-of-line resistance	4.7kΩ	
Battery fuse	Resettable	
Zone fuse	Resettable	
Number of zones	2-4-8-12-16	
Number of potential-free outputs	1	
Alarm relay commutation current	2A at 30V DC max.	
Resistance per zone circuit	50 ohm max.	
Sounder output	2 x short circuit protection/ traceable	
Sounder output power	2x150mA max. (ECSI20; 15 pieces can be connected) +25 °C Voltage: -12 V DC max. Voltage in alarm: 28 V DC max.	
24V output	28,5 V DC max. / 21 V DC min. 100 mA max. / 27,4 V DC nominal 25 °C	
Default code	(User 22) (Superuser 99) and optional key	
Mains fuse	0,5 A time lag	
Battery	2 x 12 V DC 7 Ah	
Battery low voltage	22 V DC ± 0.5V	
Battery charge current	max. 0.4 A	
Battery charge voltage	27,2 V ± %2 - 20° / -36mV/°C	
No operation voltage level	<21 V	
Built-in accumulator	Accumulator space available	
Battery high impedance	>2,5 ohm	
Switching frequency	132 kHz	
Ripple	<200 mV	
Type class conditions	3k5 of IEC 60721-3-3	
Storage temperature	-20 to +70	
IP rating	30	
I max. a / max. b / min.	Zone 2	208 mA / 612 mA / 80 mA
	Zone 4	212 mA / 594 mA / 80 mA
	Zone 8	232 mA / 624 mA / 80 mA
	Zone 12	253 mA / 644 mA / 80 mA
	Zone 16	280 mA / 684 mA / 80 mA
Indicators		
Front panel	2x16 Alphanumeric LCD display	
Indicator type	7 LED indicators	
Indicators	Alarm, Mains, Battery, Fault, Sounder Fault, System Fault, Disabled	
Audible and visual warning	Available	
Button	RESET, START/STOP SOUNDER, SILENCE BUZZER, →, ←, ↑, ↓	
Zone Specifications		
Zone circuit output voltage	Max. 25,17 V / Nominal 24,65 V / Min. 18,96 V Zone voltage 7,7 V to 17,2 V	
Detector alarm Reference range	Zone impedance 160 Ω to 735 Ω	
Manual call point alarm reference range	Zone voltage 2,9 V to 7,5 V Zone impedance 50 Ω to 155 Ω	
Short circuit reference range	Zone voltage < 2,66 V Zone impedance <45 Ω	
Open circuit reference range	>14,7 K	
General		
Body	Plastic	Metal
Color	Gray/Red/Black	
Operating temperature	-10°C ~+50°C	
Dimensions (HxWxD)	303x307x115mm	274x324x68mm
Weight	990g	2400g
Standart no	EN54-2 / EN54-4	

Certificates	
Approved organization no	1922
Certification no	1922-CPR-1577
Standard no	EN54-2/EN54-4

Description

ECFP Series conventional fire detection control panels are 2-4-8-12-16 zones, and EN 54-2 and EN 54-4 certified.

Microprocessor-controlled conventional fire detection panel gives an audible and visual warning and also displays the condition on its LCD monitor when detecting any alarm situation. 20 detectors and an unlimited number of manual call points can be connected to each zone. On its front panel, there are LED indicators for Alarm, Fault, Sounder Fault, System Fault, Disable, Supply and Battery, and also buttons which are Start/Stop Sounder, Reset, Silence Buzzer. The intervention of unauthorized people is prevented via password or switch.

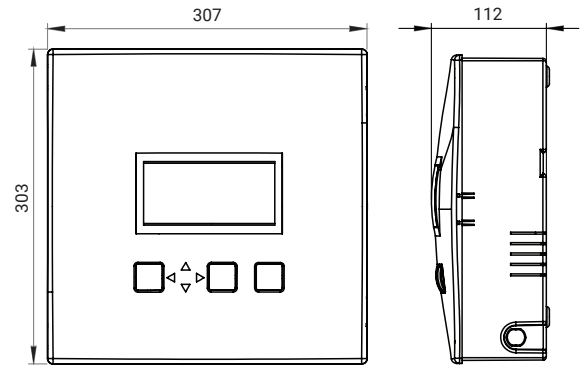
It has two relay and two sounder outputs with two batteries place in its box.

Ordering Information

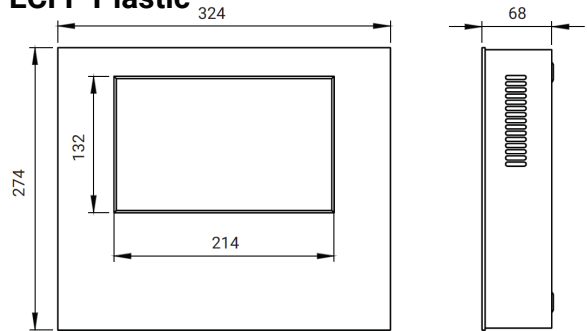
Kod	Tanımı
ECFP2M	2-zone EDS Conventional Fire panel with metal housing
ECFP4M	4-zone EDS Conventional Fire panel with metal housing
ECFP8M	8-zone EDS Conventional Fire panel with metal housing
ECFP16M	16-zone EDS Conventional Fire panel with metal housing
ECFP2P	2-zone EDS Conventional Fire panel with plastic housing
ECFP4P	4-zone EDS Conventional Fire panel with plastic housing
ECFP8P	8-zone EDS Conventional Fire panel with plastic housing
ECFP16P	16-zone EDS Conventional Fire panel with plastic housing

Dimensions (mm)

ECFP Metal



ECFP Plastic



ECFP-BR-EN-2342-R2

EDS reserves the right to make changes without notice in terms of tracking technical developments.

